

Product loading / unloading instruction

For va-Q-one 8-74 Dry Ice

Note:

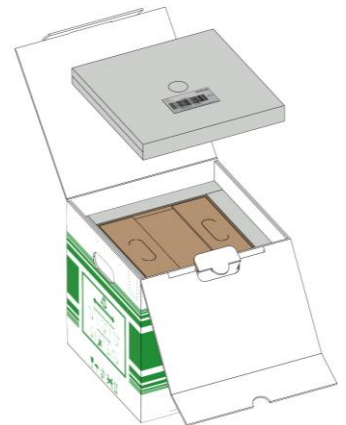
Dry Ice is a hazardous substance. Before using a va-Q-one with dry ice, undertake a risk assessment with your health and safety department to ensure all appropriate safeguards according to local regulations are in place. Make sure to handle the box only in well ventilated areas. When handling dry ice wear insulated gloves and safety goggles.

For the product loading / unloading process, the va-Q-one 8 is shown exemplary in the figures. The following loading / unloading instruction is valid for: **va-Q-one 8 – 74**.



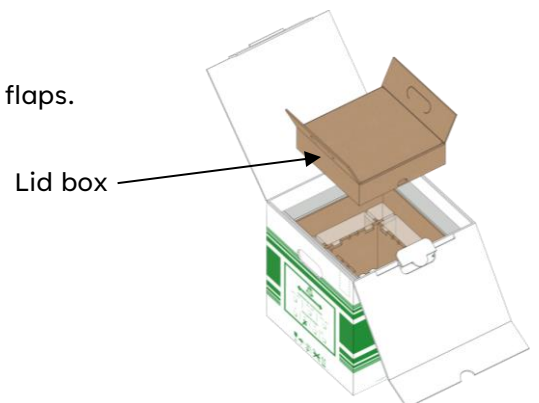
Step I

Open the lid of the va-Q-one and remove the top vacuum insulation panel (VIP). Please ensure the top VIP is handled carefully and placed on an even and clean surface.



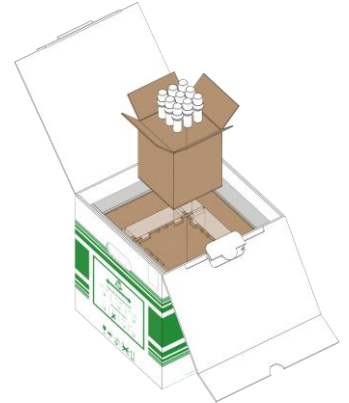
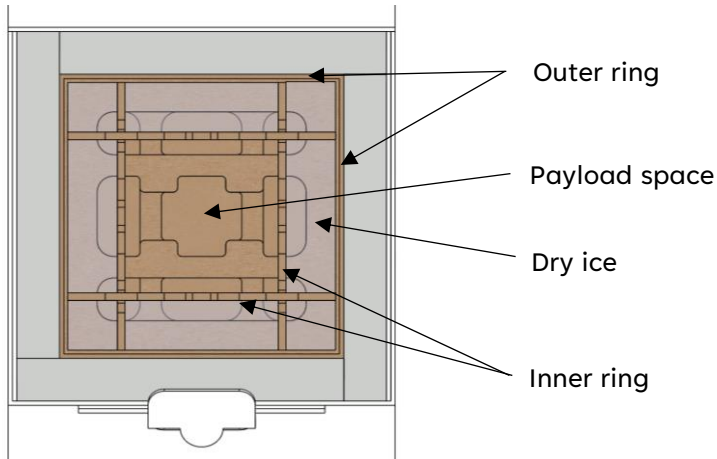
Step II

Take out the lid box that is on top by grabbing the handles of the flaps.



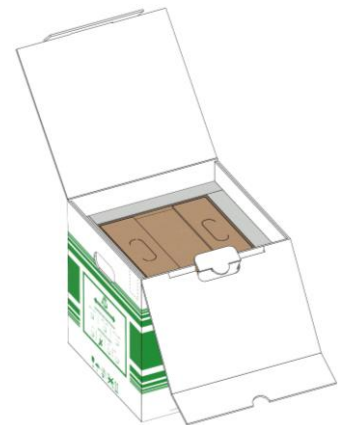
Step III

Load / unload the product.



Step IV

Place the lid box back onto the inner ring and fold the flaps with the handles of the lid boxes down, so they create an even surface.



Step V

Place the top VIP back on the lid box. Make sure that the front flap is folded on the notch before closing.

Close the lid of the va-Q-one by folding the flaps inwards and sliding these into the respective slots. Seal the lid with adhesive tape at the marked position.

