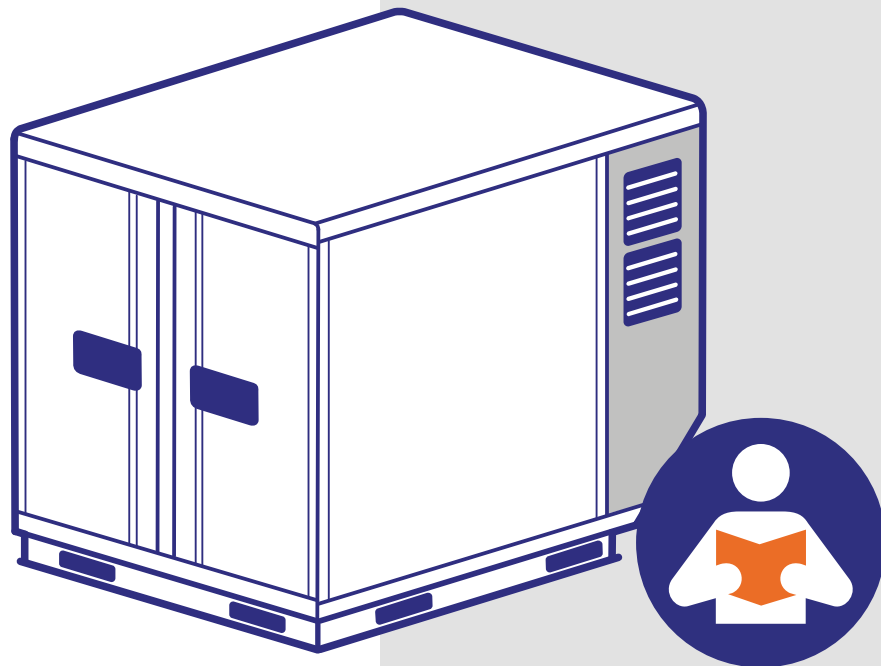


Envirotainer[®]

The Active Cold Chain



Releye[®] RKN User Manual

**RKN container,
Model 120020R, P/N 120020R-()-()-()**

Doc No. UM-RKN-1005
Version 3

www.envirotainer.com

Doc No:

UM-RKN-1005

Revision:

3

State

Released

Release date:

2024-11-14

Approved by

hanst

RECORD OF REVISION

VER. NO.	REVISION
3	<p>REVISED:</p> <ul style="list-style-type: none">• 2.1.2 Symbols on the container: Revised the center of gravity sticker and the tare weight sticker.• 2.2.2 Lifting and moving the container: Added a caution for how to place the container.• 4.4.1 Lifting and moving the container: Added a caution for how to place the container. Removed warning for pallet jack.• 5.2 Alerts: Added an alert for the power system. Removed temperature alert to conform with the latest software version.• 5.3 Alarms: Removed alarms to conform with the latest software version.• 6. Technical specification: Revised the autonomy, the tare weight and the max net weight.

TABLE OF CONTENTS

1. INTRODUCTION	1
1.1 Container type	1
1.2 Intended use	1
1.2.1 Operating environment	1
1.3 Manufacturer	2
1.4 Contact	2
1.5 Declaration of conformity	2
2. SAFETY	3
2.1 Symbols	3
2.1.1 Symbols in the manual	3
2.1.2 Symbols on the container	4
2.2 Safety instructions	5
2.2.1 General	5
2.2.2 Lifting and moving the container	5
2.2.3 Loading	5
2.2.4 Charging	6
3. CONTAINER DESCRIPTION	7
3.1 Orientation conventions	7
3.2 Overview	8
3.3 Refrigeration system operation	10
3.4 Walls	11
3.5 Operating conditions	12
4. USING THE CONTAINER	13
4.1 Preparing a shipment	13
4.2 Shipping	14
4.3 Finishing a shipment	14
	→

4.4	Operating instructions	15
4.4.1	Lifting and moving the container	15
4.4.1.1	Safety precautions	15
4.4.1.2	Lift from the sides	16
4.4.1.3	Lift from the front (door side)	16
4.4.1.4	Use a roller bed system	17
4.4.2	Pre-conditioning the cargo and the container	17
4.4.2.1	Pre-condition the cargo	17
4.4.2.2	Pre-condition the container	17
4.4.3	Loading the cargo	21
4.4.4	Charging the container	25
4.4.4.1	Safety precautions	25
4.4.4.2	The charging unit	26
4.4.4.3	Charge the container	27
4.4.4.4	Order additional charging adapters	29
4.4.5	Precautions during a shipment	30
4.4.6	Storing the container	30
4.4.7	Operating the display unit	31
4.4.7.1	The display unit	31
4.4.7.2	Wake the display up from sleep mode	34
4.4.7.3	Set the temperature	34
4.4.7.4	Check the battery level	35
4.4.7.5	View and address active alarms and alerts	35
4.4.7.6	Turn the temperature control off	36
4.4.7.7	Disable connectivity	36
4.4.7.8	Lock and unlock the display unit for input	38

→

5. TROUBLESHOOTING.....	39
5.1 On-going tasks.....	39
5.2 Alerts.....	40
5.3 Alarms.....	41
5.4 Hardware.....	43
6. TECHNICAL SPECIFICATION.....	45
6.1 Definition of dimensions.....	46

Intentionally left blank

1. INTRODUCTION

This manual is intended for shipper, forwarder and airline personnel involved in the operation of the Envirotainer Releye® RKN container. The manual is published by Envirotainer AB without warranty.

1.1 CONTAINER TYPE

The container is an active Unit Load Device (ULD) according to ETSO-C90d A1, including non-ETSO functions, primary to keep cargo in a temperature-controlled environment.

The container is a 2K4C designed according to AS36100 and LD-3.

1.2 INTENDED USE

The container is designed for transporting temperature sensitive cargo, and is intended for use in aircraft, trucks and trains. The container may also be transported by ship when empty or loaded with non temperature sensitive cargo.

Operating conditions when transporting temperature sensitive cargo are stated in **3.5 Operating conditions**.

The container may only be handled and operated in accordance with the instructions given in this manual.

Operational limitations regarding maximum gross weight, ambient temperatures and power requirements stated in the **6. Technical specification** must not be exceeded.

When loaded on an aircraft, or other means of transportation, the container must run on battery power. It must never be connected to a power outlet inside an aircraft or other means of transportation.

Connectivity:

The container is provided with connectivity equipment for wireless data transmission. This equipment has built in flight detection in accordance with AC 91.21-1D, sections 10.2 and 10.3. It uses two independent means to control the RF transmitters and automatically turns off the RF transmitters when the container is airborne.

A manual connectivity switch is also available, to override the automatic flight detection and enable transport on an aircraft for which the operator has not approved the use of equipment based on automatic flight detection in accordance with AC 91.21-1D, sections 10.2 and 10.3. Refer to **4.4.7.7 Disable connectivity**.

If there are questions about the intended use, refer to **1.4 Contact** for contact details.

1.2.1 OPERATING ENVIRONMENT

The container is designed to meet the following environmental conditions:

Maximum altitude (unpressurized)	AC power: 3000 m (9842 ft)
	Battery power: 4600 m (15 092 ft)
Minimum air pressure	0,506625 bar, corresponding to 15 000 ft at -5°C (23°F) or equivalent
Maximum relative humidity	MIL-STD-810; B3
Maximum supply voltage fluctuations	Up to ±10 % of the nominal voltage
Overvoltage category	Category II
Wet location	Wet location (outdoor use)
Applicable pollution degree	Pollution degree 3
Container enclosure ingress protection code	IP15B

1.3 MANUFACTURER

The container is manufactured and provided by:

Envirotainer Engineering AB

Staffans väg 2A

SE-192 78 Sollentuna

SWEDEN

1.4 CONTACT

For contact information to our operations centers, refer to www.envirotainer.com.

For questions regarding the container or for reporting misleading, incorrect or insufficient data in the manual, send an e-mail to support@envirotainer.com.

For ordering of additional adapters, send an e-mail to logisticspareparts@envirotainer.com. Refer to **4.4.4.4 Order additional charging adapters** for ordering details.

1.5 DECLARATION OF CONFORMITY

The Declaration of conformity can be obtained on request.

2. SAFETY

This chapter contains safety instructions and explanations of safety related symbols in the manual and on the container. For safe handling of the container, make sure to read the instructions before use, and pay attention to the safety symbols and stickers attached to the container.

2.1 SYMBOLS

2.1.1 SYMBOLS IN THE MANUAL

The following symbols are used in the manual:



WARNING!

Indicates a possible danger that **can** lead to death or serious injury if necessary measures are not taken.



CAUTION!

Indicates a possible hazard that **can** lead to injury or material / equipment damage if necessary measures are not taken.



NOTE!

Practical information or tips on how to perform a procedure.

2.1.2 SYMBOLS ON THE CONTAINER

This section contains explanations of safety related symbols and stickers on the container, and information about where they are found.

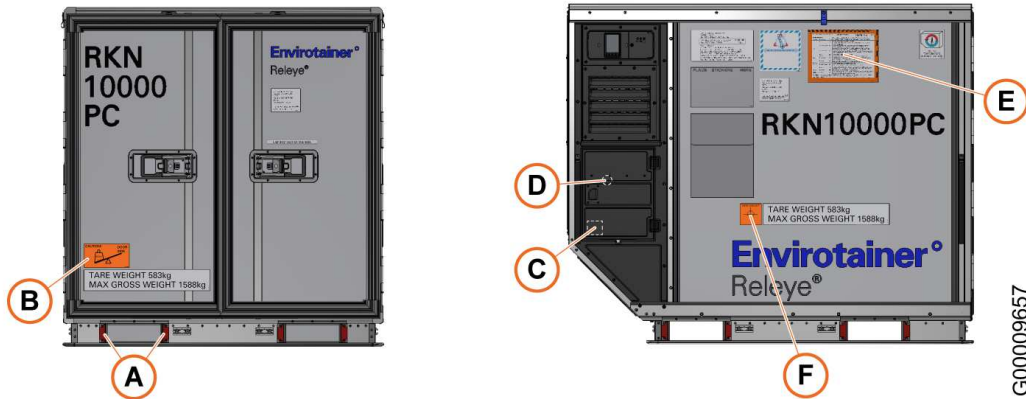
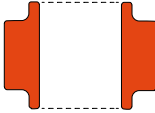
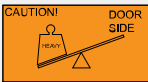

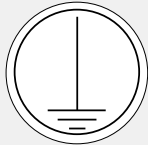
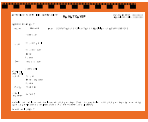
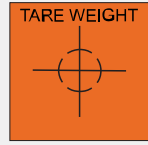


Fig. 1 Placement of symbols and stickers on the container

Table 1 Symbols/stickers on the container

Pos	Symbol/sticker	Explanation
A		When lifting the container with forklift, insert the forklift forks into the slots in between the stickers.
B		The container's center of gravity is displaced due to the weight of the refrigeration system at the rear of the container. Be careful when lifting the container from the front (the door side).
C		Violation of the aircraft security. Do not charge the container inside an aircraft. Sticker positioned on the inside of the charging unit door.
D		Protective earth. Sticker positioned in the charging unit.
E		The container is labeled with an Operational Damage Limits Notice (ODLN) sticker, to meet the IATA labelling requirements for aircraft containers. The ODLN describes the acceptable damage limits from an airworthiness perspective and can be used for safe loading on to the aircraft. Before every lease, the containers are inspected against even stricter criteria than those stated on the ODLN. Therefore, the container will never exhibit the level of damage as described on the ODLN when released from an Envirotainer station.
F		The container's center of gravity is displaced due to the weight of the refrigeration system at the rear of the container. The sticker shows the center of gravity of an unloaded container.

2.2 SAFETY INSTRUCTIONS

2.2.1 GENERAL

 **WARNING!**

Risk of electric shock! Disconnect the charging cable from the power outlet and close the charging unit hatch prior to cleaning the outside of the container. Avoid high-pressure liquid spray directly onto the display unit, charging unit or any of the inlet/outlet gratings.

 **CAUTION!**

Risk of crush injury! For personal safety and to avoid damage to the container: Do not store any containers, cargo or other items on top of the container.

 **CAUTION!**

Risk of crush injury and container damage! Observe normal precautions when handling locks, doors and lids.

2.2.2 LIFTING AND MOVING THE CONTAINER

 **WARNING!**

Risk of electric shock! Always keep the container in a stationary position during charging. Do not move the container. Do not place the container on any electrical cables.

 **WARNING!**

Risk of crush injury! The container's center of gravity is displaced due to the weight of the refrigeration system at the rear of the container. Follow the lifting and moving instructions. Refer to: **4.4.1 Lifting and moving the container**

 **CAUTION!**

Risk of crush injury! Make sure that the container is always placed on an area larger than the footprint of the container base, such that all of the base is supported.

2.2.3 LOADING

 **WARNING!**

Risk of trapping a person inside the container! Before closing the doors, make sure that nobody is inside the cargo space.

2.2.4 CHARGING**⚠ WARNING!**

Risk of electric shock! Do not charge the container outdoors or in damp and/or humid environments.

⚠ WARNING!

Risk of electric shock! Always keep the container in a stationary position during charging. Do not move the container. Do not place the container on any electrical cables.

⚠ WARNING!

Risk of electric shock!

- Always make sure to use a charging cable and adapter provided with protective earth.
- Always make sure that the power outlet in the building is provided with protective earth before connecting the charging cable.

⚠ WARNING!

Risk of electric shock! Always visually inspect the charging cable, connectors and any adapter used, for any abnormalities or damages before connecting it to a power outlet. Connectors shall be inspected for residual water or other contamination.

⚠ WARNING!

Risk of electric shock and tripping hazard! Always route the charging cable in a safe way avoiding walkways and forklift routes. Make sure that any excess cable is safely stowed away in the charging unit to avoid loops.

⚠ WARNING!

Risk of electric shock! It is allowed to use another charging cable than the one provided. Make sure that the substitute cable is provided with protective earth, is rated for at least 16 A and meets national regulations.

⚠ WARNING!

Risk of electric shock! Avoid use of additional extension cable as far as possible. If the use of extension cable is required, make sure the cable is provided with protective earth, is rated for at least 16 A and meets national regulations. Use as short cable as possible.

3. CONTAINER DESCRIPTION

For information about container dimensions, loading capacity, temperature capacity, power consumption and battery autonomy, refer to **6. Technical specification**.

3.1 ORIENTATION CONVENTIONS

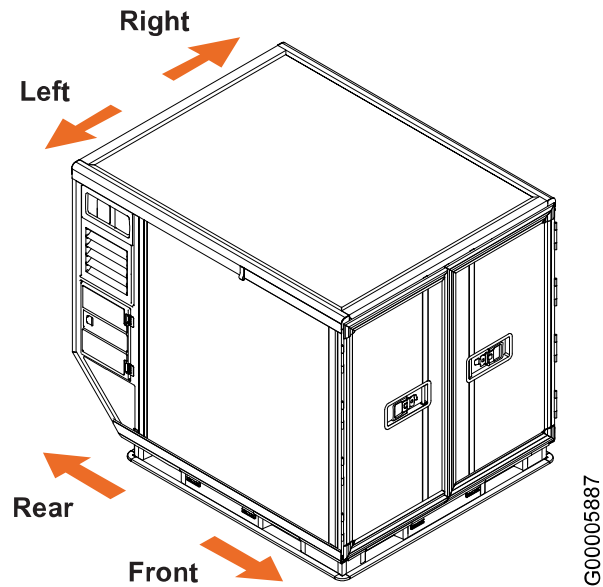
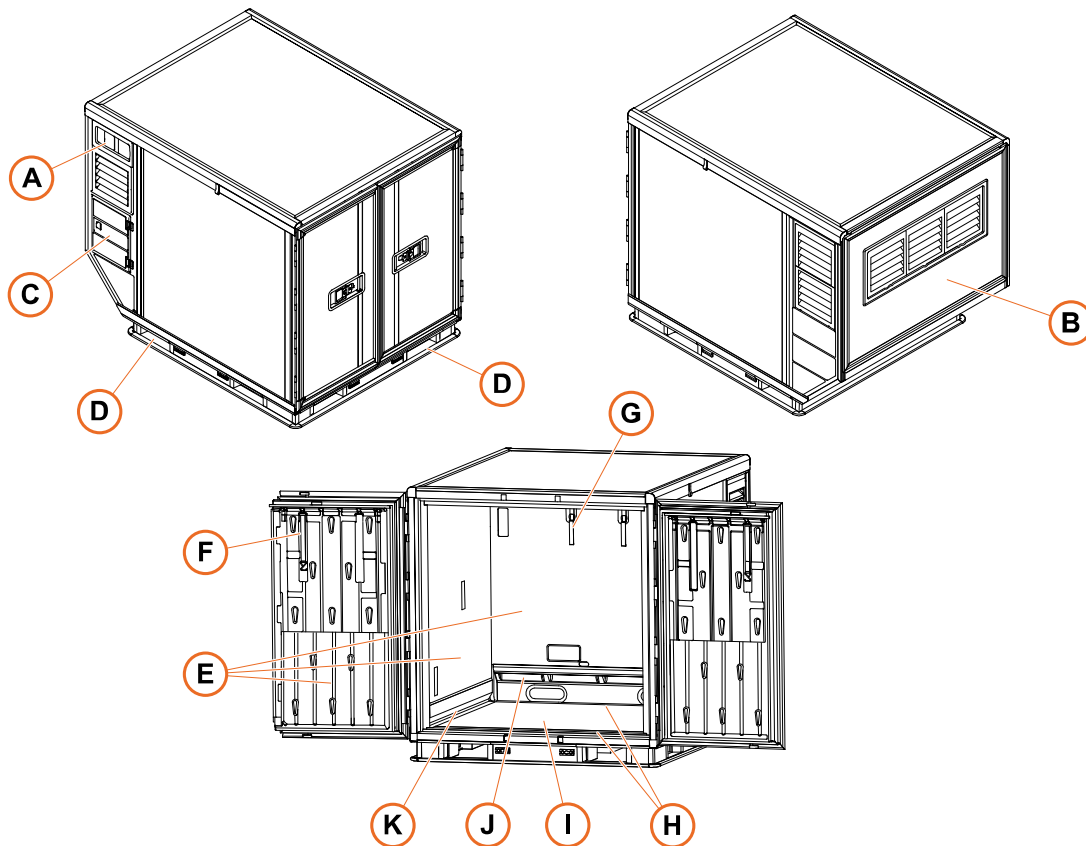


Fig. 2 Schematic view of the container with orientation conventions

3.2 OVERVIEW



G00005891

Fig. 3 Overview of the container

Table 2 Container features

Pos	Name	Description
A	Display unit	Used for: <ul style="list-style-type: none"> Setting the cargo temperature set point Starting pre-conditioning Checking the battery level Viewing activated alarms Turning the refrigeration system on/off Manually disabling the connectivity
B	Refrigeration system	In the machine room behind the service hatch. Includes rechargeable battery modules and mechanical refrigeration modules.
C	Charging unit	Contains charging cable and adapters.
D	Fork lift pocket	For lifting the container.
E	Air distribution panel	Contains several air channels for cooled or heated air.

→

Table 2 Container features (cont'd.)

F	Strap with hook	For locking the door in opened position.
G	Strap	For temporarily suspending air cargo straps during loading.
H	Tie-down tracks	For securing cargo.
I	Cargo space	Contains air distribution panels, temperature sensors and tie-down tracks.
J	Return air outlet	For return air from the cargo space.
K	Air inlets	Supply the cooled or heated air from the air distribution panels into the cargo space.

3.3 REFRIGERATION SYSTEM OPERATION

The refrigeration system is powered by an internal, rechargeable battery module, and controlled by a control module. Sensors in the cargo space walls send signals to the control module, which controls a number of mechanical refrigeration modules, so that the correct temperature in the cargo space is maintained.

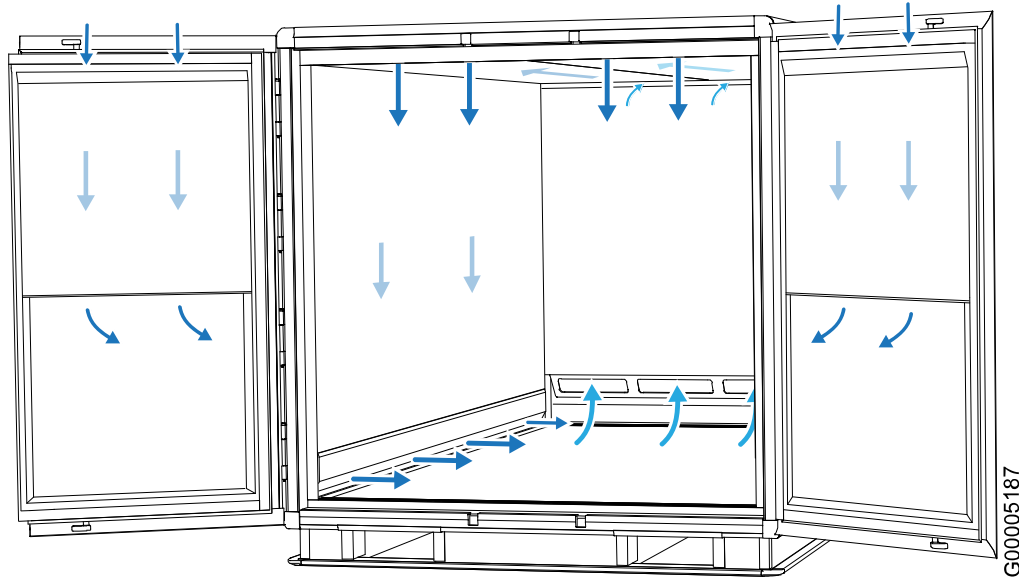


Fig. 4 Schematic view of the internal airflow

Temperature-controlled air is circulated from the mechanical refrigeration modules through the air distribution panels in the ceiling, walls and doors, and into the cargo space. The air travels along the inner floor and re-enters the refrigeration system through return air outlets in the partition wall at the rear of the cargo space.

To ensure proper air distribution in the cargo space, it is important that the cargo is placed on pallets. Ideally, cargo should be secured with straps to the tie down tracks in the inner floor.

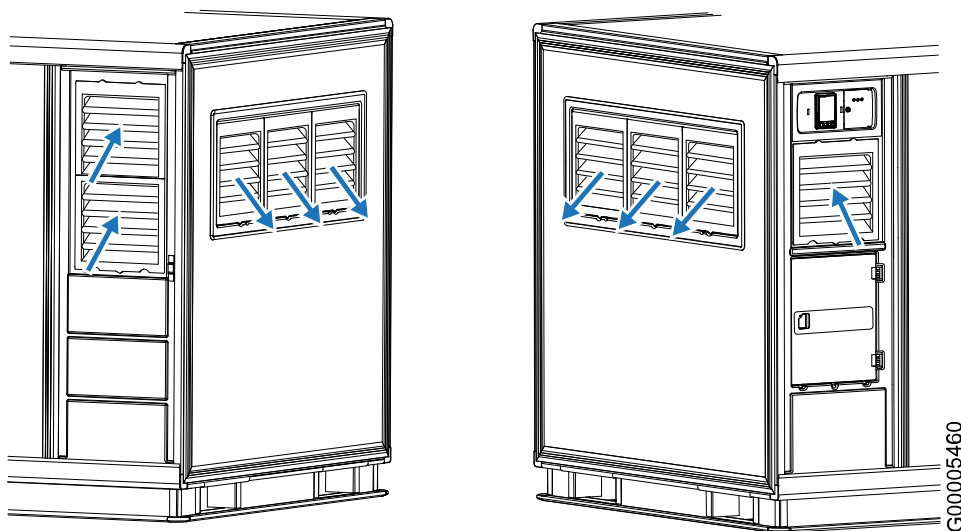


Fig. 5 Schematic view of the internal-external airflow transition (example: Releye[®] RLP container)

The air inlets on the container sides are used for cooling the modules in the machine room. The return air from the machine room is discharged through exhaust outlets in the service hatch.



During charging a fan unit provides extra cooling of the battery module. Fan outlets are provided in the outboard panel.

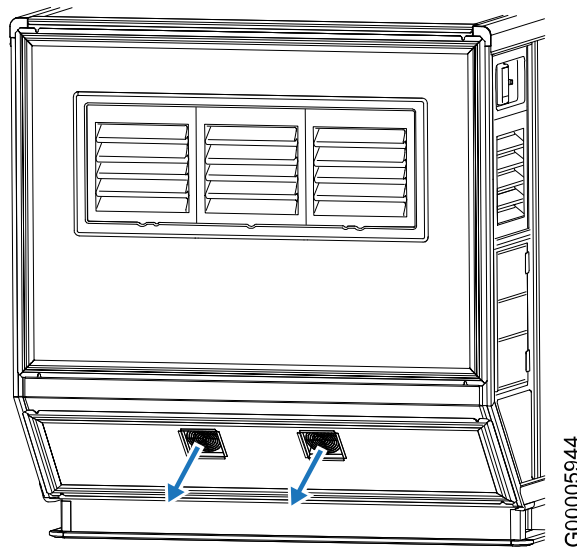


Fig. 6 Fan unit outlets in outboard panel

The container is fitted with independent subsystems for both redundancy and reliability purposes:

- multiple mechanical refrigeration modules, each containing heater, cooler and fans
- a battery module with multiple batteries

This means that even if one mechanical refrigeration module malfunctions during a shipment, the shipment can be carried out without any loss of temperature performance. Loss of a single battery in the battery module will not affect the container temperature performance, but it will reduce the autonomy time.

3.4 WALLS

The walls are composed of three layers:

- Sandwich panel (A)
- Insulation panel (B)
- Air distribution panel (C)

Damages such as scratches to the outer surface (D) of the sandwich panel do not affect the flight safety properties of the container. Light damages to the sandwich panel (A) do not affect the insulation performance of the container.

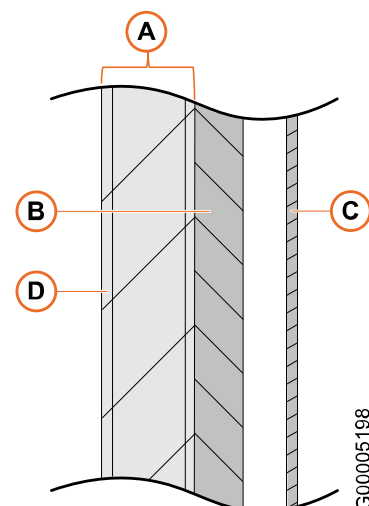


Fig. 7 Cross section of the container wall

3.5 OPERATING CONDITIONS

The following conditions must apply in order for the container to work properly when transporting temperature sensitive cargo:

- The cargo and the container must be pre-conditioned to the temperature set point.
- The container must have sufficient battery power for the intended duration and conditions of the shipment.
- The container must not be exposed to ambient temperatures outside the operational limits. Refer to **6. Technical specification**.

For information about the environmental conditions, refer to **1.2.1 Operating environment**.

4. USING THE CONTAINER

A shipment (B) is defined as all land and air transportation that is required to transfer a loaded container from the shipper site (A) to the consignee site (C).

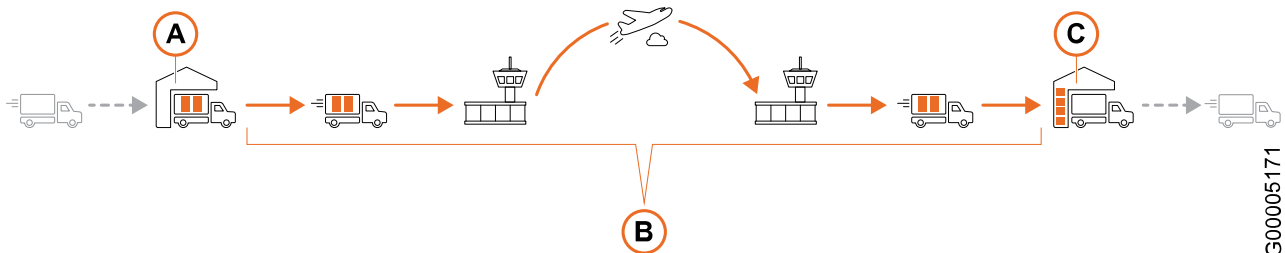


Fig. 8 The shipment chain

Chapters **4.1-4.3** contain three separate checklists, listing the actions to be performed when preparing a shipment, shipping the container, and finishing the shipment. Follow the applicable checklist, as defined below, to make sure that all necessary measures for a successful shipment are taken. The checklists contain references to relevant operating instructions.

- *Preparing a shipment:* Container handling at the shipper site, from receiving the empty container to handover of the loaded container.
- *Shipping:* Container handling during land transportation to and from the airport, and at the airport. To be performed by forwarders and airport personnel.
- *Finishing a shipment:* Container handling at the consignee site, from receiving the loaded container to handover of the empty container.

The checklists may be printed out to make sure that they are completed.

4.1 PREPARING A SHIPMENT

Before the shipment, the following must be performed:

- Pre-condition the cargo. Refer to **4.4.2.1 Pre-condition the cargo**.
- Pre-condition the container. Refer to **4.4.2.2 Pre-condition the container**.
- Confirm (on the display unit) that the container is within the required temperature range. A fixed green status indicator light indicates that the container is ready.
- Load and strap the cargo. Refer to **4.4.3 Loading the cargo**.
- Confirm that all doors and lids are closed and latched.
- Check that the battery level is sufficient for the shipment. If not, charge the container. Refer to **4.4.7.4 Check the battery level** and **4.4.4 Charging the container**.
- Take action on any active alarms and alerts. Refer to **4.4.7.5 View and address active alarms and alerts**.
- Make sure that the container is not wrapped. Refer to **4.4.5 Precautions during a shipment**.
- Make sure that the container is handled in ambient temperatures within the allowed operational limits, and limit exposure to other temperatures. Refer to **3.5 Operating conditions** and **6. Technical specification**.

For instructions on lifting and moving the container, refer to **4.4.1 Lifting and moving the container**.

4.2 SHIPPING

During the shipment, the following must be performed:

- Take action on any active alarms and alerts. Refer to **4.4.7.5 View and address active alarms and alerts.**
- Make sure that the container is not wrapped. Refer to **4.4.5 Precautions during a shipment.**
- Make sure that the container is handled in ambient temperatures within the allowed operational limits, and limit exposure to other temperatures. Refer to **3.5 Operating conditions** and **6. Technical specification.**
- If the duration of the shipment exceeds the specified autonomy for the container, or if the shipment is performed in challenging ambient conditions, consider charging the container whenever it is in a warehouse. Refer to **4.4.4 Charging the container.**
- Make sure that all doors and lids are closed and latched.
- Limit the time on the tarmac during aircraft loading (to avoid temperature extremes and direct sunlight).

For instructions on lifting and moving the container, refer to **4.4.1 Lifting and moving the container.**

4.3 FINISHING A SHIPMENT

After the shipment, the following must be performed:

- Take action on any active alarms and alerts. Refer to **4.4.7.5 View and address active alarms and alerts.**
- Unload the cargo.
- Turn the temperature control off. Refer to **4.4.7.6 Turn the temperature control off.**

For instructions on lifting and moving the container, refer to **4.4.1 Lifting and moving the container.**

For storage instructions, refer to **4.4.6 Storing the container.**

4.4 OPERATING INSTRUCTIONS

4.4.1 LIFTING AND MOVING THE CONTAINER

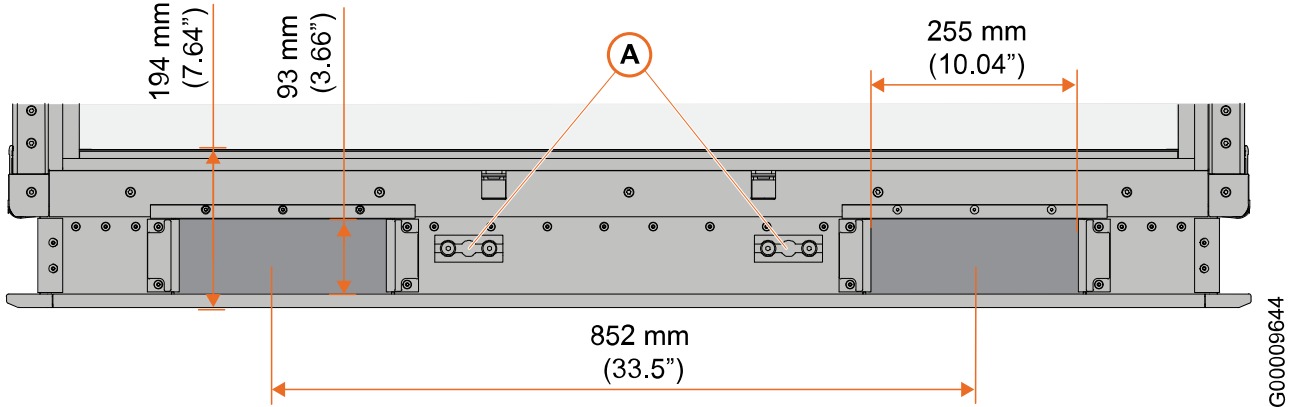


Fig. 9 Fork lift pockets and tie-down brackets

The container can be lifted using a forklift when empty or loaded. The forklift pocket center to center distance is 852 mm (33.5") and the forklift pocket width is 255 mm (10.04").

If the container must be pulled, the pulling device shall be attached to the tie-down brackets (A) on the base.

4.4.1.1 SAFETY PRECAUTIONS

⚠ WARNING!

Risk of electric shock! Always keep the container in a stationary position during charging. Do not move the container. Do not place the container on any electrical cables.

⚠ WARNING!

Risk of crush injury! The container's center of gravity is displaced due to the weight of the refrigeration system at the rear of the container. Follow the lifting and moving instructions.

⚠ WARNING!

Risk of crush injury! The container is heavy. Keep away from a container moving on a roller bed system.

⚠ CAUTION!

Risk of crush injury! Due to the weight of the refrigeration system at the rear, be careful when lifting the container from the front.



CAUTION!

Risk of crush injury! Make sure that the container is always placed on an area larger than the footprint of the container base, such that all of the base is supported.

CAUTION!

Risk of container damage! Do not pull the container by the strap handles when the container is not placed on roller beds, as the strap handles may come loose.

CAUTION!

Risk of container damage! Do not drag the container against the ground, as this may cause damage to the underside.

4.4.1.2 LIFT FROM THE SIDES

When lifting from the sides, the forklift pockets in the container base shall be used.

Empty and loaded container:

- Recommended fork length: all way through the fork lift pockets: >1500 mm (59.06")
- Minimum fork length (L) in the container fork lift pockets: 1200 mm (47.24")

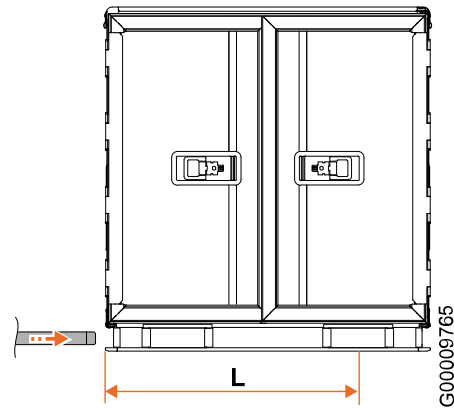


Fig. 10 Lift from the sides

4.4.1.3 LIFT FROM THE FRONT (DOOR SIDE)

When lifting from the front, the forklift pockets in the container base shall be used.

CAUTION!

Risk of crush injury! Due to the weight of the refrigeration system at the rear, be careful when lifting the container from the front.

Empty and loaded container:

- Minimum fork length (L_{min}) in the container fork lift pockets: 1300 (51.18")
- Maximum fork length (L_{max}) in the container fork lift pockets: 1450 (57.09"). The fork lift pockets have a closed end.

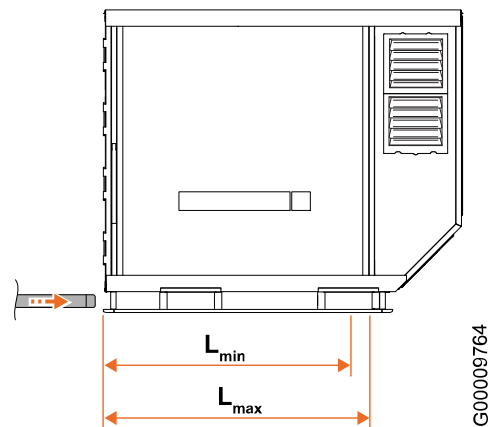


Fig. 11 Lift from the front

4.4.1.4 USE A ROLLER BED SYSTEM

1. Use the strap handles at the corners of the container to handle the container on roller beds.



WARNING!

Risk of crush injury! The container is heavy. Keep away from a container moving on a roller bed system.

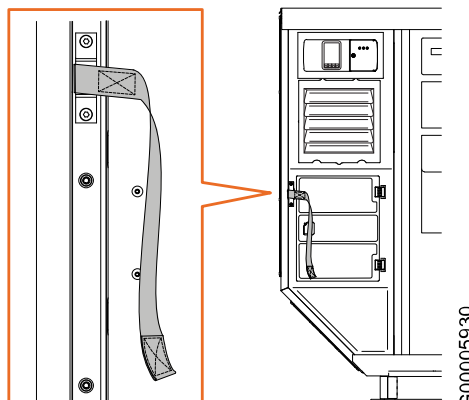


Fig. 12 Roller bed handling

4.4.2 PRE-CONDITIONING THE CARGO AND THE CONTAINER

4.4.2.1 PRE-CONDITION THE CARGO

The container is designed to maintain the cargo at the cargo space temperature set point, but not to cool or heat the cargo.

The cargo must be pre-conditioned to the cargo space temperature set point before it is loaded into the container. This includes packaging material, such as for example shrinkwrap, and temperature loggers. Improper pre-conditioning will affect the container's ability to maintain the necessary cargo temperature.

4.4.2.2 PRE-CONDITION THE CONTAINER

The container must be pre-conditioned to the cargo space temperature set point before the cargo is loaded. Improper pre-conditioning will affect the container's ability to maintain the necessary cargo temperature.

There are two ways of pre-conditioning the container:

- Using the internal pre-conditioning program
- Using a temperature controlled room

When using the internal pre-conditioning program, the pre-conditioning can be started immediately, or set to be completed within a specified number of hours (2-72 hours).

4.4.2.2.1 Pre-condition using the internal pre-conditioning program

Pre-conditioning to +5 °C (+41 °F) at an ambient temperature of 0 to +25 °C (+32 to +77 °F) takes maximum one hour. Pre-conditioning outside this ambient temperature range will take more time.

It is recommended to connect the container to a power outlet during pre-conditioning.

→

1. Make sure the container doors are closed.

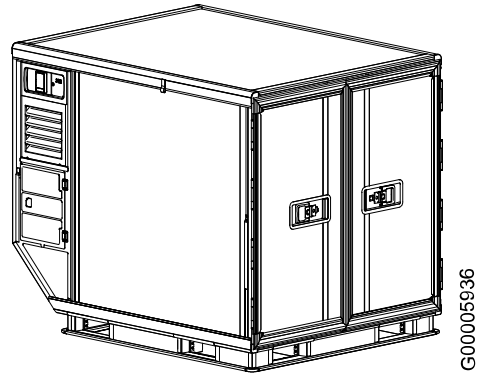






Fig. 13 Make sure the doors are closed

2. On the shipment status overview, press  to enter **Container Settings**.
3. Select **Set Temperature**.

 **NOTE!**

The **Set Temperature** screen is active for one minute. If the display returns to the shipment status overview before the new set temperature has been confirmed, the setting is not saved.

4. Set the applicable temperature using  and  and press  to confirm. A prompt to start pre-conditioning will be shown.

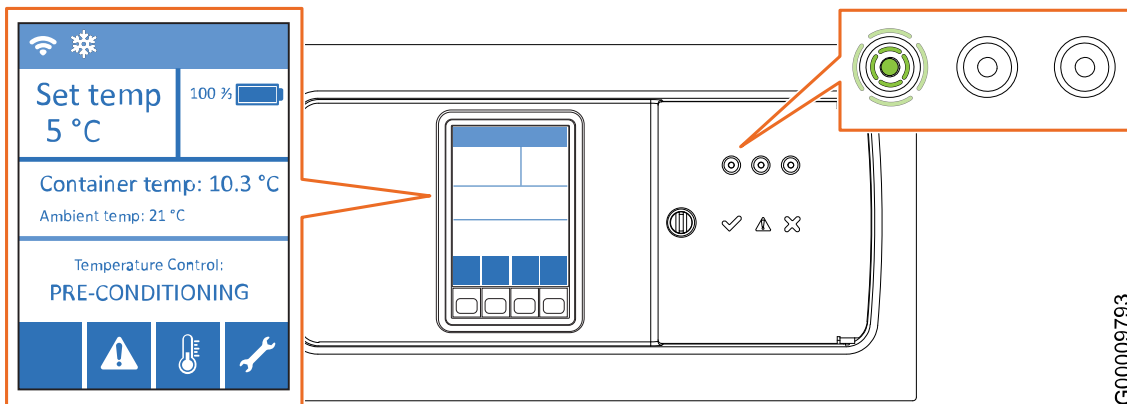





Fig. 14 Pre-conditioning on-going

5. To start the pre-conditioning immediately: Select **Now** and press  to initiate the pre-conditioning. The display shows **Temperature control: PRE-CONDITIONING** and the pre-conditioning icon. The green indicator light flashes.
6. To start the pre-conditioning later:
 - 6a. Select **Set Timer**.
 - 6b. Set the total number of hours remaining until the pre-conditioning shall be completed, using  and . The timer interval is 2-72 hours.

→

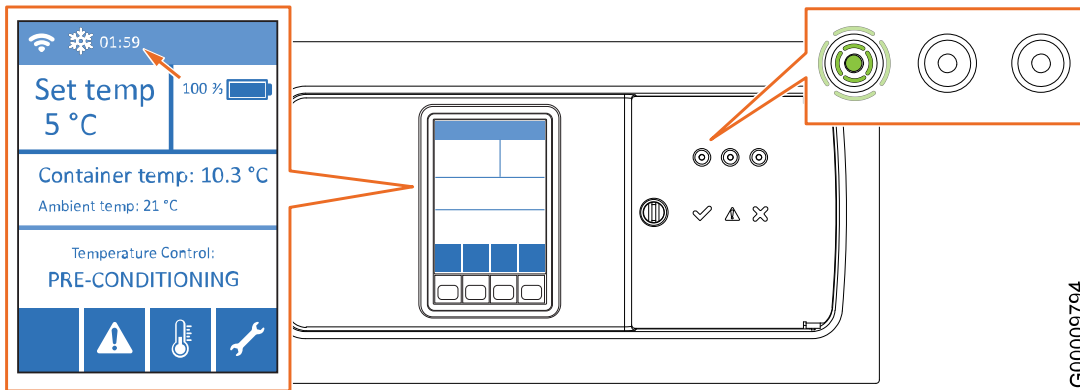


Fig. 15 The remaining pre-conditioning time

G00009794

6c. Press **✓** to confirm the setting. The display shows **Temperature control: PRE-CONDITIONING**, the pre-conditioning icon and the estimated remaining time until the pre-conditioning is finished. The format is hh:mm, i.e. the remaining time in hours and minutes. The green indicator light flashes.

7. Wait until **Temperature control ON** is shown on the display before loading any cargo.

NOTE!
The green indicator light is fixed when the pre-conditioning is completed, provided that charging is not on-going.

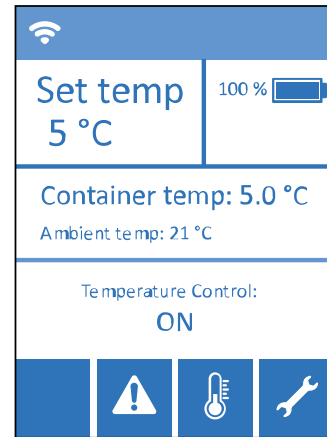


Fig. 16 Pre-conditioning finished

G00005872

4.4.2.2.2 Pre-condition using a temperature controlled room

The pre-conditioning using a temperature controlled room can be performed with the refrigeration system turned on or off. Pre-conditioning with the refrigeration system turned off saves battery power, but must be completed by running the internal pre-conditioning program to activate the container temperature control. As the container already holds the correct temperature, it will not take long for the pre-conditioning program to finish.

1. Place the container in a temperature controlled room that holds the desired temperature.



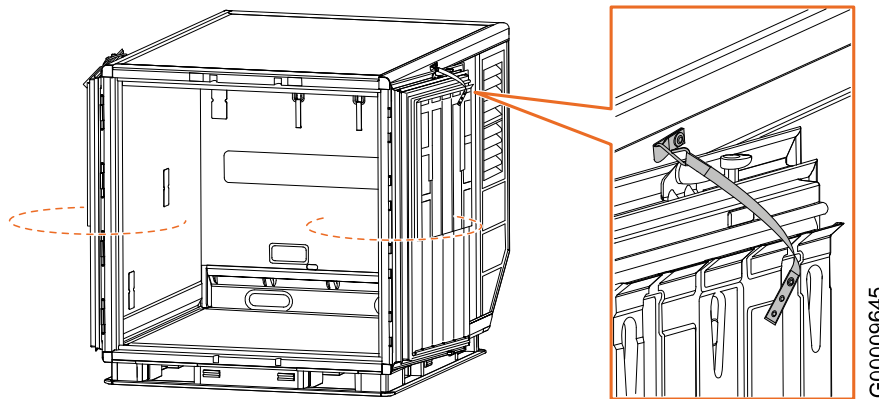








Fig. 17 Open and lock the doors in the opened position

2. Open the doors to the cargo space and lock them in the opened position using the door straps.
3. If the pre-conditioning shall be performed with the temperature control turned on:
 - 3a. On the shipment status overview, press  to enter **Container Settings**.
 - 3b. Select **Set Temperature**.





 **NOTE!**

The **Set Temperature** screen is active for one minute. If the display returns to the shipment status overview before the new set temperature has been confirmed, the setting is not saved.

- 3c. Set the applicable temperature using  and  and press  to confirm.
 - 3d. When prompted to start pre-conditioning, select **Now** and press  to initiate the pre-conditioning.
4. Allow up to 1 hour for container pre-conditioning. The display will show **Temperature control PRE-CONDITIONING** during the process. Wait until the text changes to **Temperature control ON** before loading the cargo.
5. If the pre-conditioning is performed with the temperature control turned off, make sure that the container has reached the correct temperature, then run the internal pre-conditioning program:
 - 5a. On the shipment status overview, press  to enter **Container Settings**.
 - 5b. Select **Set Temperature**.

 **NOTE!**

The **Set Temperature** screen is active for one minute. If the display returns to the shipment status overview before the new set temperature has been confirmed, the setting is not saved.

- 5c. Set the applicable temperature using  and  and press  to confirm.
 - 5d. When prompted to start pre-conditioning, select **Now** and press  to initiate the pre-conditioning.
 - 5e. Wait until **Temperature control ON** is shown on the display before loading the cargo.

4.4.3 LOADING THE CARGO

Load the cargo in a temperature controlled area.

⚠ WARNING!

Risk of trapping a person inside the container! Before closing the doors, make sure that nobody is inside the cargo space.

⚠ CAUTION!

Risk of regulation violation! Always follow the "IATA Dangerous Goods Regulations" when loading the container.

⚠ CAUTION!

Cargo safety risk! If the cargo is wrapped, make sure that the pallet is not covered, as this would obstruct the airflow along the floor beneath the cargo.

⚠ CAUTION!

Risk of cargo and container damage! Cargo that is not properly strapped may shift inside the container.

1. Make sure that both the cargo and the container are properly pre-conditioned. Refer to **4.4.2 Pre-conditioning the cargo and the container.**
2. Load the cargo on pallets to allow proper airflow through the pallet underneath the cargo.

⚠ CAUTION!

Cargo safety risk! If the cargo is wrapped, make sure that the pallet is not covered, as this would obstruct the airflow along the floor beneath the cargo.

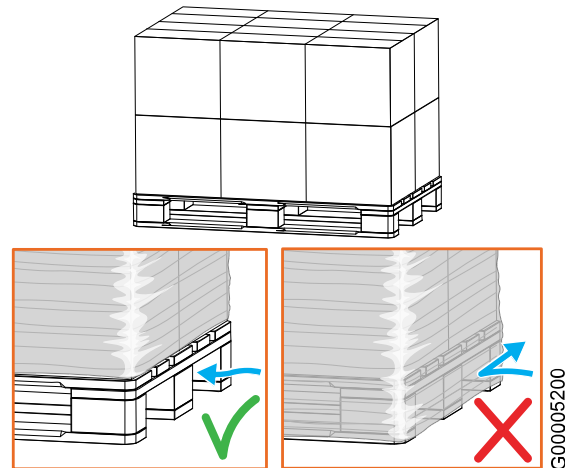


Fig. 18 Allow airflow through the pallet



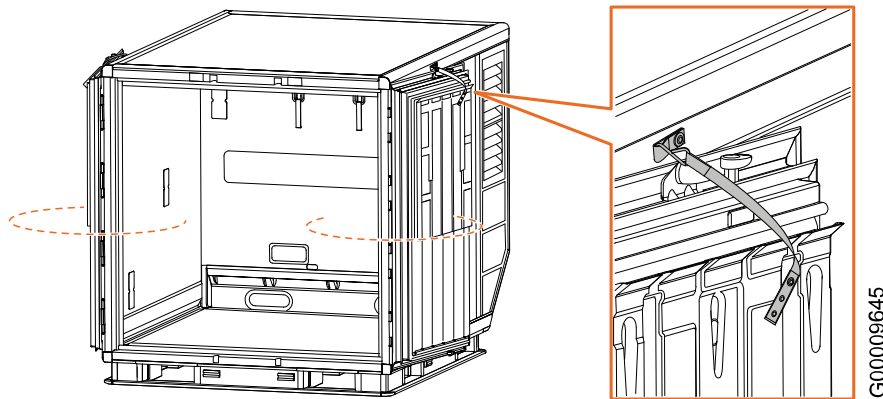


Fig. 19 Open and lock the doors in the opened position

3. Open the doors to the cargo space and lock them in the opened position using the door straps.

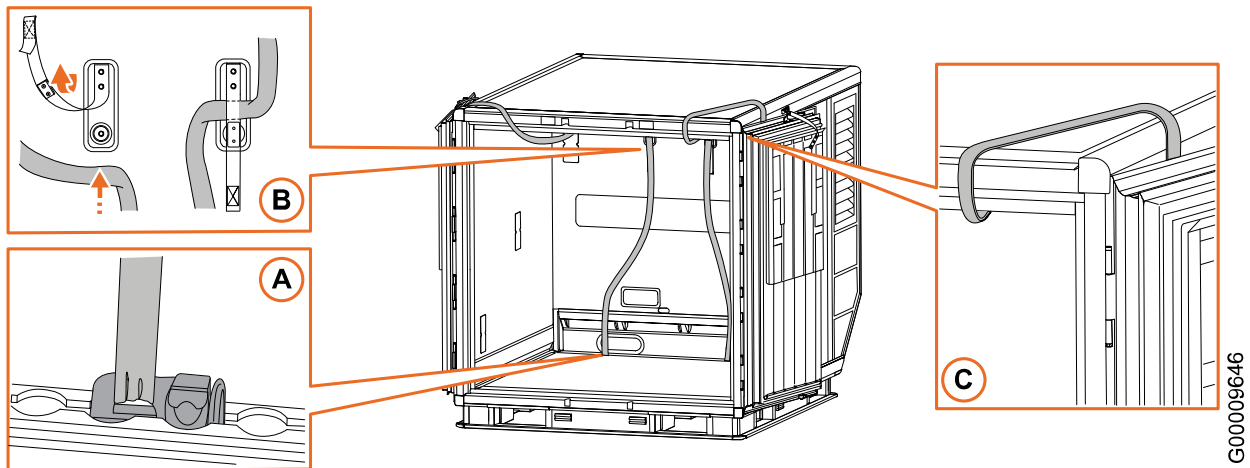


Fig. 20 Fasten and suspend cargo straps in the cargo space

4. Consider fastening air cargo straps to the tie-down tracks (A) at the rear of the cargo space, temporarily suspending them in straps (B) attached to the partition wall, and placing the air cargo straps (C) over the container roof until the cargo has been loaded. It may be hard to reach the rear tie-down tracks with the cargo in place.

→

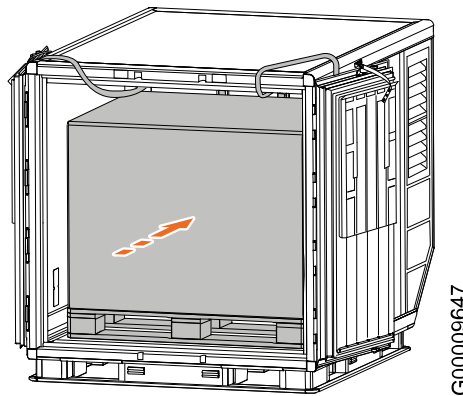


Fig. 21 Load the cargo

5. Load the cargo into the container, distributing the cargo weight evenly.

NOTE!

Cargo loading shall be done in a temperature controlled area as much as possible. If there are limitations at the facility, make sure to minimize the time the container doors are open outside temperature controlled areas.

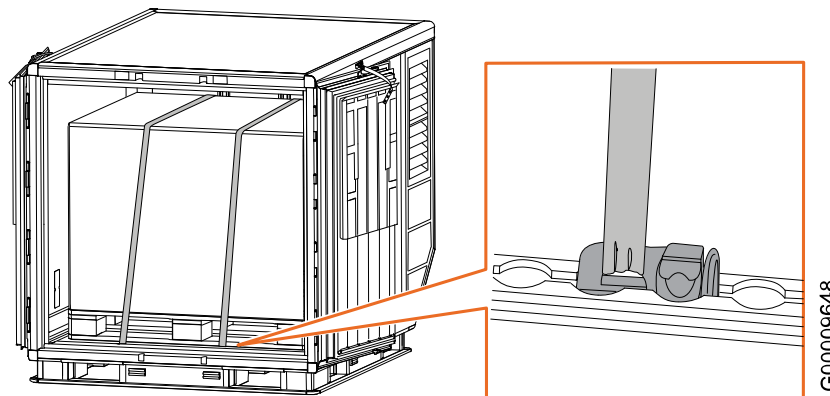


Fig. 22 Fasten and suspend cargo straps in the cargo space

6. Secure the cargo to the tie-down tracks inside the container using tie-down studs and straps.

CAUTION!

Risk of cargo and container damage! Cargo that is not properly strapped may shift inside the container.



7. Close and lock the doors. If applicable, secure at least the right hand door with a seal.

⚠ WARNING!

Risk of trapping a person inside the container! Before closing the doors, make sure that nobody is inside the cargo space.

8. Place any shipping documents or checklists in the container document pouch, and put any shipping labels on the allocated space "Place stickers here".

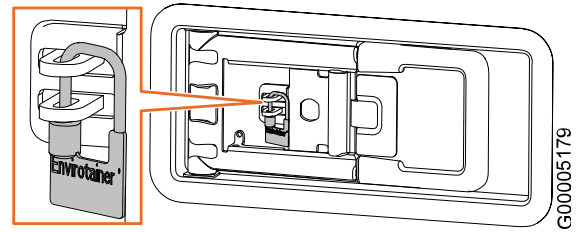


Fig. 23 Close, lock and seal the doors

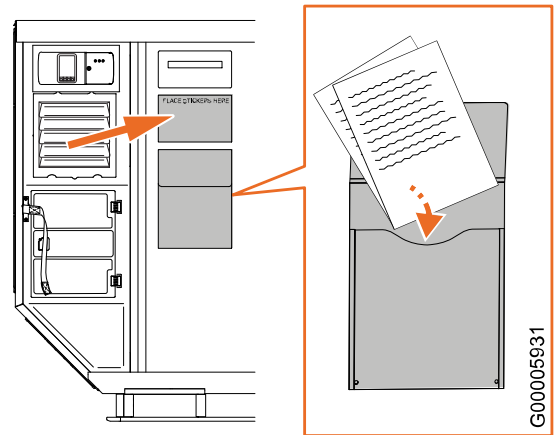


Fig. 24 Add shipping documents and labels

4.4.4 CHARGING THE CONTAINER

NOTE!

It is recommended to keep the container battery level above 20%. An alert will be triggered if the level drops below 20%.

For optimal charging, make sure that the ambient temperature is between +5 and +25 °C (+41 to +77 °F). In temperatures outside this range the charging capacity of the battery may be reduced and the charging time may be increased. Avoid charging outside the temperature range +4 °C to +40 °C (+39.2 °F to +104 °F).

For information on the maximum charging time and power consumption, refer to **6. Technical specification**.

A 100-240 V AC +/-10% power supply requires a circuit protection capability of minimum 10 A.

4.4.4.1 SAFETY PRECAUTIONS

WARNING!

Risk of electric shock! Do not charge the container outdoors or in damp and/or humid environments.

WARNING!

Risk of electric shock! Always keep the container in a stationary position during charging. Do not move the container. Do not place the container on any electrical cables.

WARNING!

Risk of electric shock!

- Always make sure to use a charging cable and adapter provided with protective earth.
- Always make sure that the power outlet in the building is provided with protective earth before connecting the charging cable.

WARNING!

Risk of electric shock! Always visually inspect the charging cable, connectors and any adapter used, for any abnormalities or damages before connecting it to a power outlet. Connectors shall be inspected for residual water or other contamination.

WARNING!

Risk of electric shock and tripping hazard! Always route the charging cable in a safe way avoiding walkways and forklift routes. Make sure that any excess cable is safely stowed away in the charging unit to avoid loops.

WARNING!

Risk of electric shock! It is allowed to use another charging cable than the one provided. Make sure that the substitute cable is provided with protective earth, is rated for at least 16 A and meets national regulations.

→

⚠ WARNING!

Risk of electric shock! Avoid use of additional extension cable as far as possible. If the use of extension cable is required, make sure the cable is provided with protective earth, is rated for at least 16 A and meets national regulations. Use as short cable as possible.

⚠ CAUTION!

Risk of electric overload! The initial peak current during charging may be high, with additional strain on the power source fuses. If the container is connected to a sensitive power grid it may cause flickering in the facility. Do not connect more than one container per circuit to avoid overload of the power source fuse.

4.4.4.2 THE CHARGING UNIT

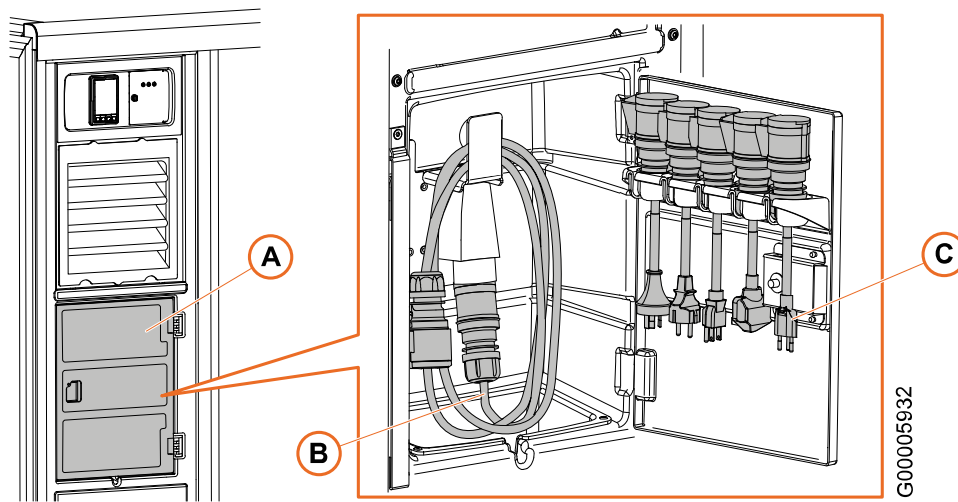


Fig. 25 The charging unit

The charging unit (A) is used for charging the internal battery modules of the container. It contains a charging cable (B) and the following selection of adapters (C):

Table 3 Adapters included

Adapter	Specification	Part number
Swiss SEV 1011	10 A, 250 V	P/N 807M
BS 1363	13 A, 250 V	P/N 807P
Nema 5–15P	15 A, 125 V	P/N 807Q
CEE 7/7	16 A, 250 V	P/N 807R
AS/NZS 4417	10 A, 250 V	P/N 807S

4.4.4.3 CHARGE THE CONTAINER

⚠ WARNING!

Risk of electric shock! Always keep the container in a stationary position during charging. Do not move the container. Do not place the container on any electrical cables.

⚠ WARNING!

Risk of electric shock!

- Always make sure to use a charging cable and adapter provided with protective earth.
- Always make sure that the power outlet in the building is provided with protective earth before connecting the charging cable.

1. Open the door of the charging unit and take out as much of the charging cable as needed.

⚠ WARNING!

Risk of electric shock! Always visually inspect the charging cable, connectors and any adapter used, for any abnormalities or damages before connecting it to a power outlet. Connectors shall be inspected for residual water or other contamination.

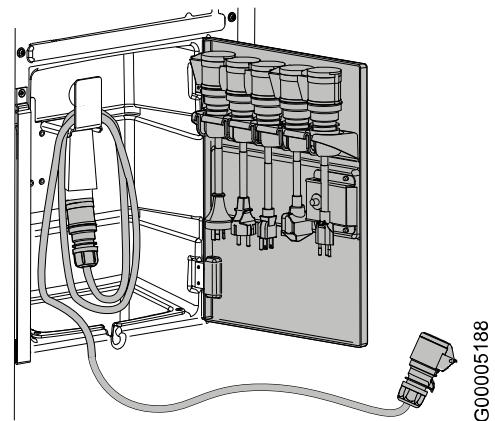


Fig. 26 Take out the charging cable

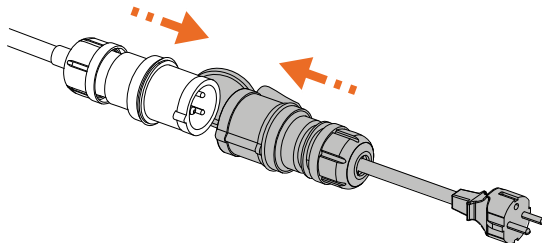


Fig. 27 Connect an adapter

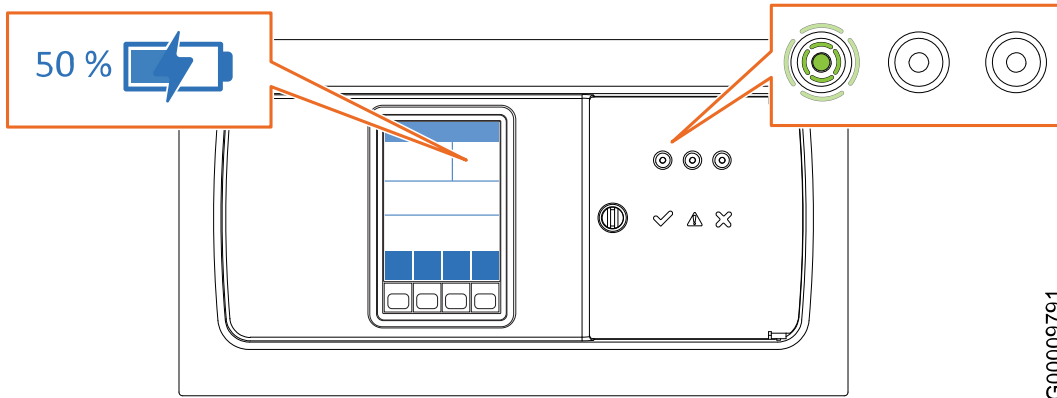
2. If necessary, connect an adapter to the charging cable. The adapters are found on the inside of the charging unit door.

Additional adapters can be ordered, refer to **4.4.4.4 Order additional charging adapters**.

i NOTE!

Make sure that the hook on the charging cable connector locks into the lid of the adapter connector.





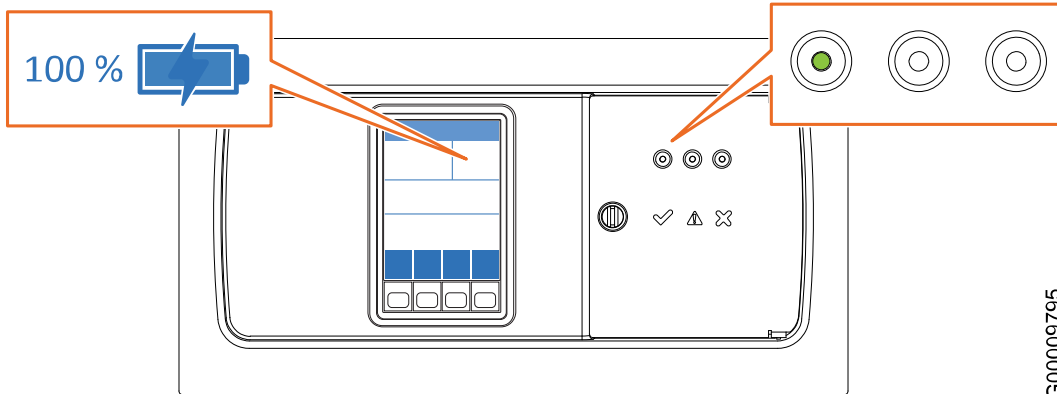
G00009791

Fig. 28 Charging on-going

3. Connect the plug or adapter to the power outlet. The battery level indicator is shown with a flash and the green status indicator light flashes. The display is lit for a minute. After one minute the display enters sleep mode but the green status indicator light keeps flashing to indicate that the charging is ongoing.

⚠ WARNING!

Risk of electric shock and tripping hazard! Always route the charging cable in a safe way avoiding walkways and forklift routes. Make sure that any excess cable is safely stowed away in the charging unit to avoid loops.



G00009795

Fig. 29 Charging completed

4. Charging is completed when the battery level indicator is full. The green status indicator light is fixed, provided that pre-conditioning is not on-going.
5. Disconnect the plug/adapter from the power outlet. The battery level indicator will be shown without a flash.



G00009792

Fig. 30 Disconnect the charging cable



- If applicable, disconnect the adapter from the charging cable and return the adapter to the holder on the inside of the charging unit door. Make sure that all five adapters are in place.

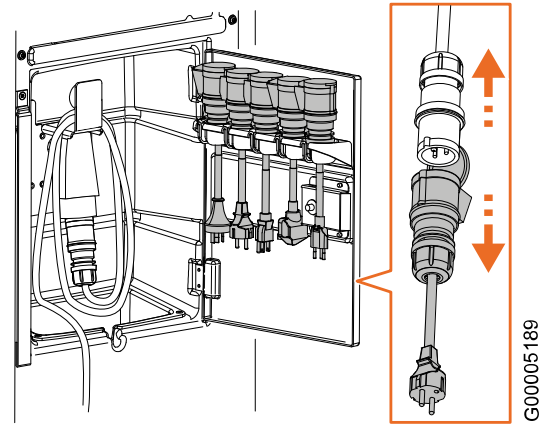


Fig. 31 Disconnect the adapter

- Stow the charging cable in the charging unit and close the door properly.

NOTE!

Make sure to put the provided charging cable back if another cable was used for charging.

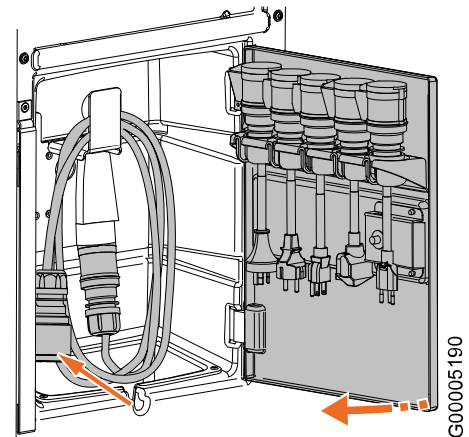


Fig. 32 Stow the charging cable and close the door

4.4.4.4 ORDER ADDITIONAL CHARGING ADAPTERS

The following additional charging adapters can be ordered from Envirotainer:

Table 4 Additional adapters available for order

Adapter	Specification	Part number
NEMA 6-15R	15A, 250V	P/N 807X
NEMA L15-30P	30A, 250V	P/N 807Y

Place an order by sending an e-mail, containing the following information, to logisticspareparts@envirotainer.com:

- Part number and quantity of the desired adapter(s)
- Customer name and contact person, including contact details
- Billing address
- Delivery address, if different from the billing address
- If applicable, the name of the preferred forwarding agent, along with customer number. It is however recommended to use Envirotainer's forwarding agent.

4.4.5 PRECAUTIONS DURING A SHIPMENT

⚠ CAUTION!

Risk of overheating! Do not block the air inlets and outlets. Especially, do not wrap the container.

If required, disable the connectivity manually. Refer to **4.4.7.7 Disable connectivity**.

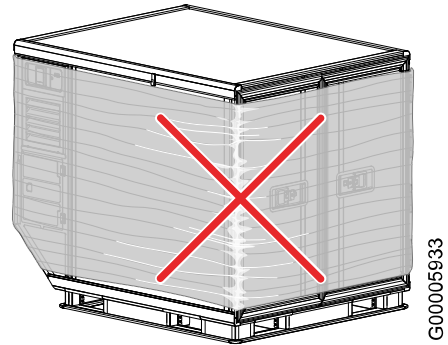


Fig. 33 Do not wrap the container

G00005933

4.4.6 STORING THE CONTAINER

⚠ CAUTION!

Risk of crush injury! For personal safety and to avoid damage to the container: Do not store any containers, cargo or other items on top of the container.

Store the container on flat ground in a temperature of -32 °C to +49 °C (-25.6 °F to 120.2 °F).

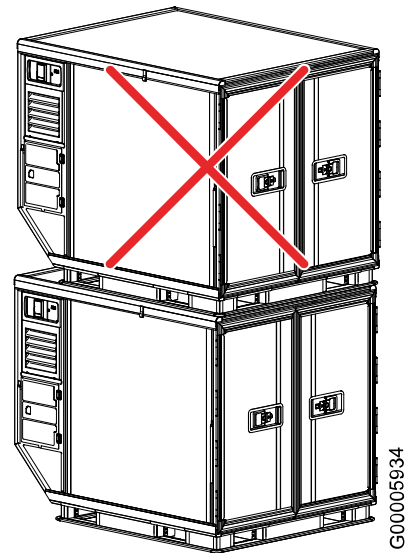


Fig. 34 Do not store anything on top of the container

G00005934

4.4.7 OPERATING THE DISPLAY UNIT

NOTE!

If the display is dark, the display is in sleep mode, but the container is operating.
The container has no power or on/off button, but the temperature control can be turned on/off.

4.4.7.1 THE DISPLAY UNIT

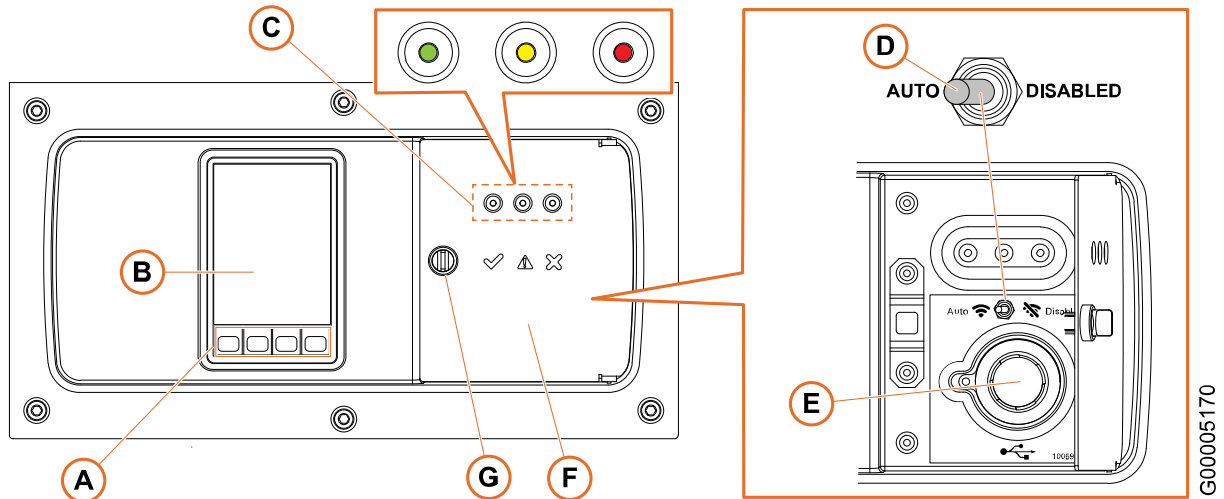


Fig. 35 Overview of the display unit

Table 5 Display unit features

Pos	Description	Pos	Description
A	Buttons	E	USB connector (not in use)
B	Display	F	Hatch
C	Status indicator lights	G	Locking knob
D	Connectivity switch		

4.4.7.1.1 Display

The default view when the display is turned on is the shipment status overview. If there is an active alarm or alert, the shipment status overview is temporarily replaced by an alarm/alert message.

Refer to **4.4.7.5 View and address active alarms and alerts**.

The display enters sleep mode one minute after the last interaction, and wakes up at the touch of a button. If an alarm or alert is activated when the display is in sleep mode, the display is automatically lit and stays lit for 90 seconds.

The buttons underneath the display are used to navigate in the menu and settings.

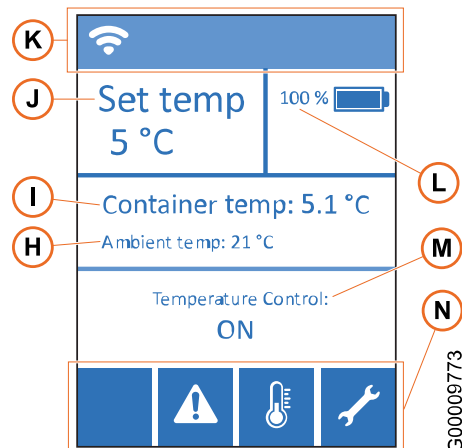


Fig. 36 The shipment status overview

If preferred, the display may be locked for input. Refer to **4.4.7.8 Lock and unlock the display unit for input**. The shipment status overview contains the following information (**Fig. 36** and **Table 6**):

Table 6 Information on the shipment status overview

Pos	Description	Pos	Description
H	Current ambient temperature (Celsius)	L	Remaining battery level in percent
I	Current temperature in the cargo space (Celsius)	M	Container status
J	Current set temperature (Celsius)	N	Button icons, see Table 7
K	Indicator icons, see Table 8		

Table 7 and **Table 8** explain the icons that can occur on the display.

Table 9 shows the menu structure of the display unit.

Table 7 Button icons






















Icon	Description	Icon	Description	Icon	Description
	Container settings		Decline		Up
	Maintenance (pin code required)		Return to previous menu		Down
	View alarms		Forward		
	Accept		Back		

Table 8 Indicator icons

Icon	Description	Icon	Description	Icon	Description
	Pre-conditioning in progress		Connected to network		Logged into maintenance (pin code required)
	Battery level indicator		Disconnected from network. Could be caused by: <ul style="list-style-type: none"> Poor radio transmission Automatic flight mode switch 		Display unit locked for input
	Connected to power outlet (even if not charging) (filled bar related to %)		Connectivity disabled by manual connectivity switch		

→

Table 9 Menu structure

Shipment status overview	 (Alarms/Alert Actions)	
	 (Container Settings)	Set Temperature*
		Start Pre-conditioning*
		Temp Control Off*
 (Maintenance) (for qualified personnel only, pin code required)		






*The action is only visible if an interaction is possible in the current mode. For example, when the container is pre-conditioned to the set temperature it is only possible to shut off the temperature control, not change the set temperature or trigger pre-conditioning. To change the set temperature, the temperature control must be shut off first, then the container must be pre-conditioned to the new set temperature.

4.4.7.1.2 Buttons

The buttons on the display unit have different applications depending on which menu is currently active on the display - see the button icon above the button. For descriptions of the button icons, refer to **Table 7**. Any of the buttons can be used for waking the display up from sleep mode.

4.4.7.1.3 Status indicator lights

Table 10 Status indicator lights

Color	Explanation and action
All indicator lights off 	Temperature control is deliberately turned off either before, during or after lease. No action required.
Green (fixed) 	The container is working properly. No action is required.
Green (flashing) 	The container is working properly, and is performing a task to prepare for shipment. No action is required.
Yellow 	An alert has been triggered. Actions are required to mitigate emerging risks for the shipment. Refer to the display for more information.
Red 	An alarm has been triggered. One or more of the refrigeration system components are malfunctioning, and the shipment is at risk. If the container is maintaining temperature and charging, hold the cargo in the cargo space and arrange to replace the container. If not, move the cargo to a temperature controlled environment until the container can be replaced. Refer to the display for more information.

For more information about alarms and alerts, refer to **5. Troubleshooting**.

4.4.7.1.4 Connectivity switch

The container is provided with connectivity equipment for wireless transmission of shipment data. It has a built in flight detection that automatically turns the connectivity off when the container comes close to an aircraft, and turns it back on again when the container is at a safe distance from the aircraft. If required, the connectivity can also be disabled manually using a connectivity switch, to enable transport on an aircraft for which the operator has not approved the use of equipment based on automatic flight detection.

Refer to [4.4.7.7 Disable connectivity](#).

When the connectivity is turned off, either automatically or using the switch, the container records shipment data. The recorded data will be available once the connectivity is on again.


4.4.7.2 WAKE THE DISPLAY UP FROM SLEEP MODE

1. Press any button on the display unit once.

4.4.7.3 SET THE TEMPERATURE




NOTE!

The temperature can only be set before the start of the pre-conditioning. When the container is pre-conditioned, the set temperature is locked and cannot be changed. To restart the temperature setting, the temperature control needs to be shut-off. Refer to [4.4.7.6 Turn the temperature control off](#).

1. On the shipment status overview, press  to enter **Container Settings**.
2. Select **Set Temperature**.

NOTE!

The **Set Temperature** screen is active for one minute. If the display returns to the shipment status overview before the new set temperature has been confirmed, the setting is not saved.

3. Set the applicable temperature using  and  and press  to confirm. A prompt to start pre-conditioning will be shown.
4. To save the new temperature setting, choose to either start the pre-conditioning immediately by selecting **Now** and confirm, or to delay it by selecting **Set Timer**, number of hours and confirm. Refer to [4.4.2 Pre-conditioning the cargo and the container](#).

4.4.7.4 CHECK THE BATTERY LEVEL

The battery level is shown on the shipment status overview. If the display is in sleep mode, press any button to wake it up.

Note that the remaining operating time varies depending on the set temperature and the ambient conditions. The operating time increases if the ambient temperature is close to the container set temperature.

For information about operating time, refer to **6. Technical specification**.

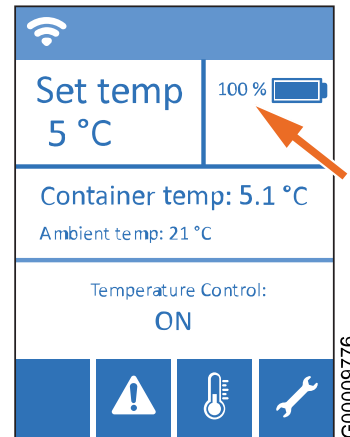


Fig. 37 The battery level

4.4.7.5 VIEW AND ADDRESS ACTIVE ALARMS AND ALERTS

When there are active alarms or alerts, the button  on the shipment status overview is orange.

1. On the shipment status overview, press .

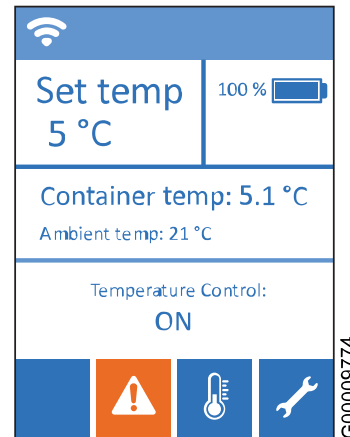








Fig. 38 View active alarms

2. Toggle through the active alarms and alerts using  and .
3. Address the active alarms and alerts in accordance with the information given. Refer to **5.3 Alarms** and **5.2 Alerts** for more information.



 **NOTE!**
The alarm or alert will be visible until the container has sensed that the alarm or alert has been resolved.

4. To return to the shipment status overview, press .

 **NOTE!**
An alarm or alert that has been viewed, but not addressed, is still active and pending action. The button  on the shipment status overview will remain orange.

4.4.7.6 TURN THE TEMPERATURE CONTROL OFF

The container has no power or on/off button. Instead, the temperature control should be turned off after the finished shipment (when the cargo has been removed from the container) to save battery power and prolong the battery lifespan.

1. On the shipment status overview, press  to enter **Container Settings**.
2. Press  to select **Temp Control Off**. The display will show the text in **Fig. 39**.
3. Press and hold buttons **A** and **B** simultaneously for 3 seconds. The time is counted down while holding.

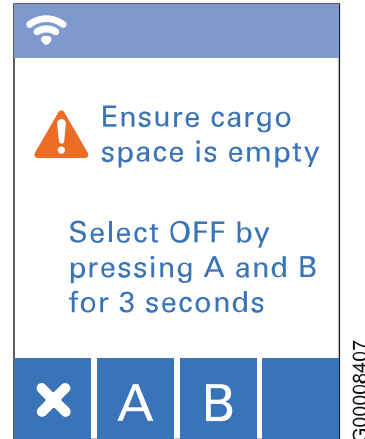


Fig. 39 Turn temperature control off

4. The temperature control is turned off when **Temperature Control OFF** is shown on the display.

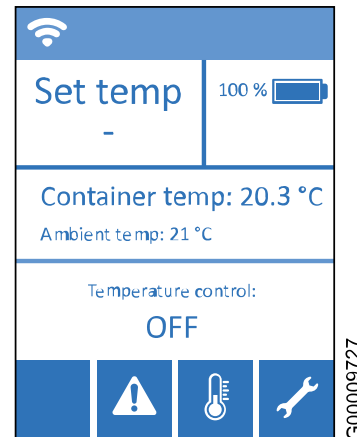


Fig. 40 Temperature control is turned off

To turn the temperature control on, follow the instructions in **4.4.2.2.1 Pre-condition using the internal pre-conditioning program**.

4.4.7.7 DISABLE CONNECTIVITY

When the connectivity is in automatic flight detection mode, the connectivity is automatically disabled when the container comes close to an aircraft. If required, the connectivity can also be disabled manually at any time:

→

1. Open the lid to the right of the display.

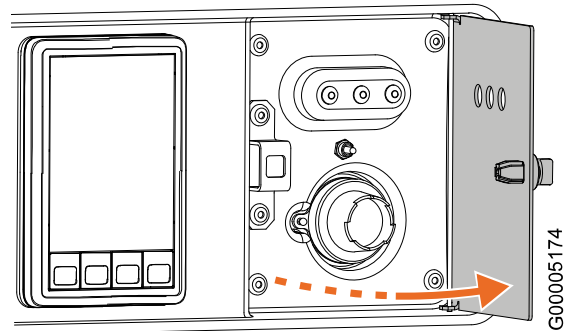


Fig. 41 Open the display lid

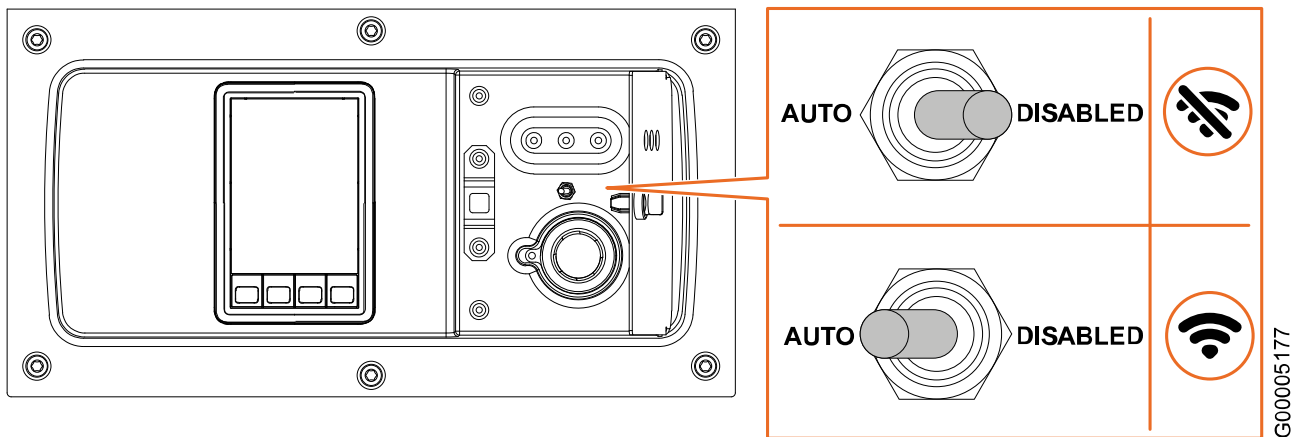


Fig. 42 Connectivity switch

2. Toggle the connectivity between automatic flight detection mode and disabled:
 - Connectivity switch towards **DISABLED**: The connectivity is disabled. The top icon in **Fig. 42** is shown on the display.
 - Connectivity switch towards **AUTO**: The connectivity is in automatic flight detection mode. The lower icon in **Fig. 42** is shown on the display (empty if there is no reception, filled if there is reception). If the connectivity switch is switched towards **AUTO** while the container is close to an aircraft, the connectivity will not be turned on until the container has left the aircraft.

→

3. Close the lid. If preferred, seal the lid with a sealing sticker.

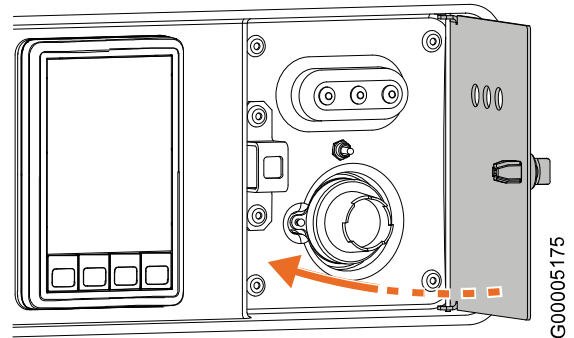



Fig. 43 Close the lid

4.4.7.8 LOCK AND UNLOCK THE DISPLAY UNIT FOR INPUT

1. On the shipment status overview, press and hold  for three seconds. The lock icon will be visible on the display. Repeat the step to unlock the display unit.

 **NOTE!**

When the display unit is locked it is still possible to view active alarms and alerts.

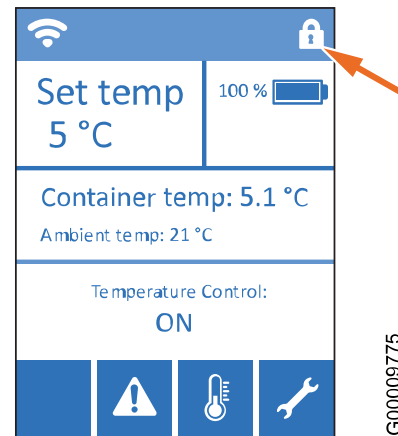



Fig. 44 Locked display


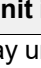

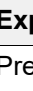

5. TROUBLESHOOTING

These troubleshooting tables can be used when the display unit indicates an alarm or alert, or when there is a problem with the container. If a solution can not be found, consider contacting the support (refer to **1.4 Contact**) for additional assistance or to replace the container. Meanwhile, place the cargo in a temperature controlled area.

5.1 ON-GOING TASKS


A fixed green light  indicates that the container is working properly. No action is required.









A flashing green light  indicates that the container performs a task to prepare for shipment. No action is required. The ongoing task is stated on the display unit:

	Task on-going	Display unit information	Explanation	Next state
	Pre-conditioning (refer to 4.4.2)	The display unit shows Temperature control: PRE-CONDITIONING and the pre-conditioning icon: 	Pre-conditioning is in progress. The cargo space has not yet reached the set point temperature.	When the pre-conditioning is completed the display unit will change text to Temperature Control: ON and the pre-conditioning icon will disappear. The green indicator light is fixed, provided that charging is not on-going.
	Charging (refer to 4.4.4)	The battery level indicator is not full. As long as the charging cable is connected to a power outlet the battery level indicator is also shown with a flash: 	Battery charging is in progress.	When the battery level indicator bar is full the container is fully charged. The green indicator light is fixed, provided that pre-conditioning is not on-going. When the charging cable is removed from the power outlet the battery level indicator is shown without a flash: 


5.2 ALERTS


An active alert is indicated by a yellow indicator light  on the display unit.




The yellow indicator light  means that actions are required to mitigate emerging risks for the shipment. Perform the corrective action stated on the display. The alert will disappear when the container senses that the alert has been resolved.

	Alert	Explanation or possible cause	Solution	Reference
	Battery depleted. Please connect charging cable.	Battery level 0%. The refrigeration system has shut down.	Charge the container.	Refer to <u>4.4.4 Charging the container.</u>
	Battery malfunction, maximum [XX]% energy level available	Autonomy time reduced to stated (XX) percentage (e.g. 75% of full autonomy available).	Look at stated battery level on display unit and charge the container when necessary.	Refer to <u>4.4.4 Charging the container.</u>
	Cargo space door open, please close door	A door sensor has detected that a door is open.	Close the door.	
	Cargo space temperature outside set point accuracy. Make sure that the doors are closed and check ambient temperature	The cargo space temperature is higher or lower than the set temperature including the tolerance.	Make sure that the doors are closed and check the ambient temperature.	
	High ambient temperature, please move container to a cooler location	The container is located in a higher ambient temperature than it is designed for.	Move the container to a cooler location.	Refer to <u>6. Technical specification.</u>
	Low ambient temperature, please move container to a warmer location	The container is located in a lower ambient temperature than it is designed for.	Move the container to a warmer location.	
	Low battery level, please connect charging cable	The battery level is below 20%.	Charge the container.	Refer to <u>4.4.4 Charging the container.</u>
	Power system too warm, charging paused	One or more batteries are too warm and the charging time may be prolonged.	Continue to charge the container. The charging time may be prolonged as long as the alert remains.	Refer to <u>4.4.4 Charging the container.</u>


5.3 ALARMS

An active alarm is indicated by a red indicator light  on the display unit.

The red indicator light  means that one or more of the refrigeration system components are malfunctioning, and the shipment is at risk. If the container is maintaining temperature and charging, hold the cargo in the cargo space and arrange to replace the container. If not, move the cargo to a temperature controlled environment until the container can be replaced. Refer to the display for more information.

	Alarm	Explanation or possible cause	Solution	Reference
	Communication lost to all cargo space sensors, container performance reduced	One or more of the refrigeration system components are malfunctioning, and the shipment is at risk. The container is in limp home mode and will continue to control the cargo space temperature but at limited performance.	Stop the current shipment and replace the container. If required, move the cargo to a temperature controlled area.	
	Container charging failure	There is a problem in the charging of the battery modules. Charging is not possible. The refrigeration system is still working.	Assess if the battery charge level is enough to continue the shipment. If not, replace the container.	
*	Container climate control failure, container operates in limp home mode and cargo may be compromised	One or more of the refrigeration system components are malfunctioning, and the shipment is at risk.	Contact customer support.	Refer to <u>1.4 Contact</u> .
	Container climate control failure, replace container	One or more of the refrigeration system components are malfunctioning, and the shipment is at risk.	Stop the current shipment and replace the container. If required, move the cargo to a temperature controlled area. If the container has arrived at destination and can maintain the temperature, ask the consignee to pick up the cargo as soon as possible.	

→

	Alarm	Explanation or possible cause	Solution	Reference
*	Internal communication error, container status not available	The display does not receive any information from the container system.	Stop the current shipment and replace the container. If required, move the cargo to a temperature controlled area. If the container has arrived at destination and can maintain the temperature, ask the consignee to pick up the cargo as soon as possible.	
	Telemetry module communication error, replace container		Replace the container.	

* The indicator light can't change and is the same as before the alarm was triggered.

5.4 HARDWARE

This chapter can be used if there is a need to troubleshoot the container from a hardware perspective.

Problem	Possible cause	Solution	Reference
<p>The display undergoes the following steps during 10-15 seconds:</p> <ul style="list-style-type: none"> • It becomes dark. • It shows a grey progress bar. • It states Initiating. Please wait. <p>The display buttons are unresponsive during the time.</p>	The display unit reboots.	The refrigeration system operates without interruption and the cargo is safe. No action needs to be taken.	
The display on the display unit is dark, but an indicator light is lit.	The display is in sleep mode to preserve energy.	<p>Press any button to light the display.</p> <p>If the indicator light is green, Shipment status overview is shown.</p> <p>If the indicator light is yellow or red, Alarm/Alert Actions is shown.</p>	Refer to <u>4.4.7.2 Wake the display up from sleep mode.</u>
The buttons are unresponsive, the display on the display unit is dark and no indicator light is lit.	The batteries are depleted.	<p>Connect the container to a power outlet to charge the batteries. An indicator light should light up.</p> <p>If no indicator light lightens up, there may be an issue with the power outlet, refer to the problem "The batteries do not charge". If an issue with the display is suspected, contact customer support.</p>	Refer to <u>4.4.4 Charging the container</u> and <u>1.4 Contact.</u>
The batteries do not charge.	The power outlet does not supply power.	Change to another power outlet and/or check the fuses in the facility.	
	The fuse is blown in the power supply central of the facility.	Change the fuse.	
	The adapter is broken.	If available, use a spare adapter.	
	The charging cable is damaged (visually inspect the cable).	Use an alternative charging cable.	



Problem	Possible cause	Solution	Reference
The display states that the door is open, but the door is closed.	The door is not correctly closed.	Make sure the door is closed. If it is closed, contact customer support.	Refer to 1.4 Contact .
	The door sensor may be faulty.	Contact customer support.	Refer to 1.4 Contact .
The display states that the door is closed, but the door is open.	The door sensor may be faulty.	Contact customer support.	Refer to 1.4 Contact .
It is not possible to switch the connectivity on/off with the connectivity switch.	There is an issue with the connectivity switch.	Contact customer support.	Refer to 1.4 Contact .
There are damages or scratches to the container base, walls, floor or other areas.	The container has been handled carelessly.	Contact customer support.	Refer to 1.4 Contact .

6. TECHNICAL SPECIFICATION

CODE	
IATA ULD type code	RKN
ATA code	LD-3
AS36100 identifier	2K4C
REFRIGERATION SYSTEM	
Air conditioning system with compressor cooling and electrical heating. Powered by rechargeable NiMH batteries.	
Power rating	100-240 V AC, 50-60 Hz, max 16 A
Recommended charging temperatures	+5 °C to +25 °C (+41 °F to +77 °F)
Charging temperature limits	+4 °C to +40 °C (+39.2 °F to +104 °F)
Cargo space temperature set point	Set point 5 and 20 °C (41 and 68 °F) Free set point 4-30 °C (39.2-86 °F)
Set point accuracy	±2 °C (±3.6 °F) for any set point
Autonomy at container temperature set point 5 °C	130 h at 20 °C (68 °F) ambient
Operational limits at any set point on battery power	-32 °C to +49 °C (-25.6 °F to +120.2 °F)
MONITORING CAPABILITIES	
Monitoring	8 Cargo space temperatures (°C) 2 Ambient temperatures (°C) Cargo space humidity (RH %) Ambient humidity (RH %) Cargo loaded inside (yes/no) Door openings (open/closed) Battery level (%) GPS location
DIMENSIONS	
External cube (volume)	4.85 m ³ (171 ft ³)
External dimensions (L x W x H)	1945 x 1534 x 1626 mm (76.57 x 60.39 x 64.02")
Internal dimensions (L x W x H)	1240 x 1354 x 1320 mm (48.82 x 53.31 x 51.97")
Door opening (W x H)	1354 x 1320 mm (53.31 x 51.97")
Internal cube (volume)	2.22 m ³ (78 ft ³)
Pallet capacity	1 EUR 1 pallet (800 x 1200 mm) (31.5 x 47.2") 1 US 40 x 48" pallet (1016 x 1220 mm)
WEIGHT	
Tare weight*	583 kg (1,285 lbs.)
Max gross weight	1588 kg (3,501 lbs.)
Max net weight*	1005 kg (2,216 lbs.)
OTHER INFORMATION	
Suitable for use on aircraft A300, A310, A330, A340, A350, A380, B747, B767, B777, B787, DC10, L1011. For other aircrafts, alternative operating procedures may apply.	
Forkliftable with slot-height 93 mm (3.66"), slot-width 255 mm (10.04") and slot center to center distance 852 mm (33.5").	

*Tare weight and max net weight may change due to repairs, see the manufacturer's plate for correct weight.

6.1 DEFINITION OF DIMENSIONS

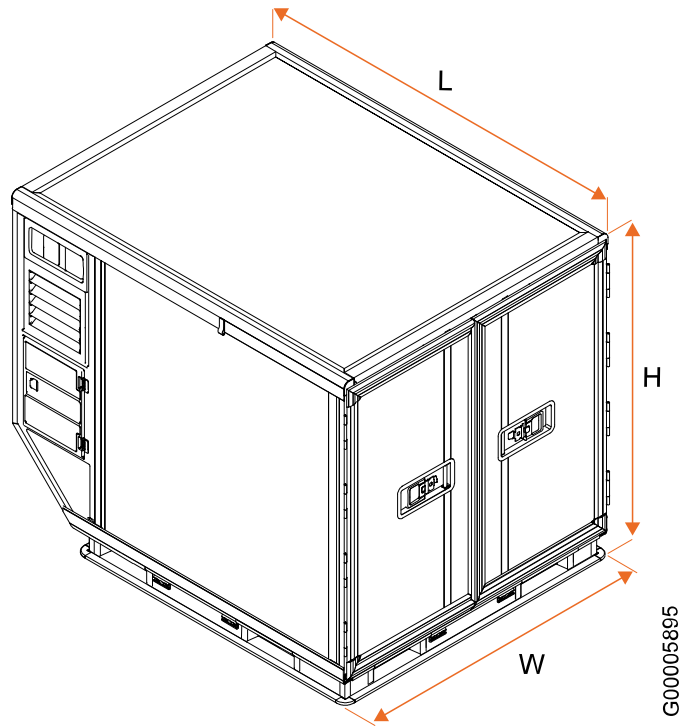


Fig. 45 Definition of dimensions

Intentionally left blank

Envirotainer Engineering AB

www.envirotainer.com

Doc No:

UM-RKN-1005

Revision:

3

State

Released

Release date:

2024-11-14

Approved by

hanst